



## EXTRA-MAX SERIES TEFC

- 250HP ~ 500HP
- Frame 449TS ~ N5807/8UZ
- Service Factor 1.15 at 40°C Ambient
- F Class Insulation
- Stainless Steel Nameplate
- Oversized Cast Iron Conduit box for frame 505T and above
- Up to 3,300 Feet Altitude
- Cast Iron Frame & End Bracket
- EPC Efficiency (Meet EISA 2007)
- 6 Cable Leads



## PERFORMANCE DATA

Totally Enclosed Fan Cooled,  
Squirrel Cage, Cast Iron Frame  
NEMA Design B, 3 phase 60Hz, 460V, 575V  
1.15 S.F. , F Insulation, 40 Deg. C Ambient

Output (HP)	Frame NO.	Full Load RPM	Current at			Torque			Efficiency			Power Factor		
			460V		575V	Full Load (LB-FT)	Locked Rotor (%)	Break Down (%)	100% Load (%)	75% Load (%)	50% Load (%)	100% Load (%)	75% Load (%)	50% Load (%)
			Full Load (A)	Locked Rotor (A)	Full Load (A)									
250	449TS	3570	278	1825	222	368	160	210	95.4	94.0	93.0	90.0	88.5	83.5
	449TZ	1785	280	1825	224	735	175	230	95.0	94.5	93.5	89.5	88.0	84.0
	449TZ	1185	294	1825	235	1107	175	200	95.0	94.5	94.0	84.5	82.0	76.0
300	N5007/9S	3570	330	2200	264	441	140	200	95.4	95.0	93.0	90.0	89.0	84.0
	449TZ	1785	330	2200	264	882	175	230	95.4	94.5	94.0	89.5	88.0	84.0
	N5007/9UZ	1185	350	2200	280	1328	160	200	95.0	94.5	94.0	85.0	83.0	77.0
350	N5007/9S	3570	382	2550	306	514	120	200	95.4	94.5	93.0	91.0	90.0	84.0
	N5007/9UZ	1785	390	2550	312	1028	140	200	95.4	95.0	94.5	89.0	87.0	82.0
	N5007/9UZ	1185	410	2550	328	1549	120	200	95.0	94.5	94.0	85.0	83.0	77.0
400	N5007/9S	3570	438	2900	350	588	120	200	95.4	94.5	93.0	91.0	90.0	84.0
	N5007/9UZ	1785	445	2900	356	1176	100	200	95.4	95.0	94.5	89.0	87.0	82.0
	N5007/9UZ	1185	470	2900	376	1770	100	200	95.0	94.5	94.0	85.0	83.0	77.0
450	N5807/8S	3570	490	3250	392	661	100	200	95.4	95.4	93.6	91.0	90.0	84.0
	N5007/9UZ	1785	500	3250	400	1323	100	200	95.4	95.4	94.5	89.0	87.0	82.0
	N5807/8UZ	1185	525	3250	420	1992	100	200	95.0	95.0	94.5	85.0	83.0	77.0
500	N5807/8S	3570	545	3625	436	735	100	200	95.4	95.4	93.6	91.0	90.0	84.0
	N5807/8UZ	1785	553	3625	442	1470	100	200	95.8	95.4	94.5	89.5	88.0	83.0
	N5807/8UZ	1185	584	3625	467	2213	100	200	95.0	95.0	94.5	85.0	83.0	77.0

**NOTE:** 1. The above are typical values based on test per IEEE 112-method B  
ALL DATA ARE SUBJECT TO CHANGE WITHOUT NOTICE.

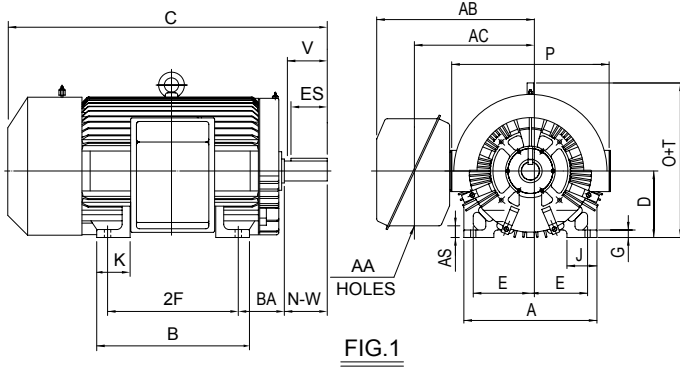


FIG.1

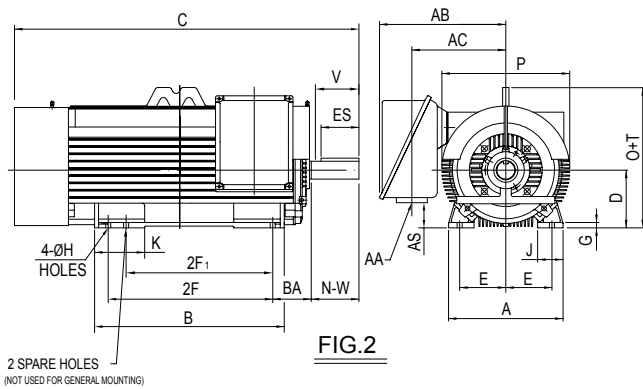
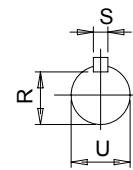


FIG.2

## TYPICAL NAMEPLATE

<b>EXTRA-MAX</b>		<b>EPACT EFFICIENCY</b>		<b>3 PHASE INDUCTION MOTOR</b>	
HP 250	MODEL NO. WJ2504FFB	ENCL. TEFC			
POLE 4	MAX. AMB. 40 °C	VOLTS 460V	60 HZ		
FRAME 449T	TIME RATING CONT.	AMP 280A			
INS. CLASS F	DATE CODE	RPM 1785			
NEMA DES. B	P.F. 89.5	IP 55	SER. NO.		
NEMA CODE G	EFF. NOM. 95.0%	BRG. NO.	D.E. NU320		
S.F. 1.15	EFF. MIN. 94.1%	O.D.E. 6318			
USABLE AT		AMP			
MEET NEMA MG1 PART31, FOR VFD CT2:1					
				MADE IN TAIWAN 4-31244	



SHAFT END DIMENSIONS

Unit: inch

FRAME NO.	FIG NO.	A	B	C	D	E	2F	2F1	G	H	J	K	O+T	P	AA
449TS	1	22.05	27.83	53.80	11.00	9.00	25.00	---	1.18	0.81	4.33	5.71	27.83	26.77	4.65
449TZ		22.05	27.83	58.56	11.00	9.00	25.00	---	1.18	0.81	4.33	5.71	27.83	26.77	4.65
N5007/9S	2	24.80	33.86	67.40	12.50	10.00	28.00	22.00	1.06	1.10	5.50	11.22	30.40	27.80	NPT4"
N5007/9UZ		24.80	33.86	74.825	12.50	10.00	28.00	22.00	1.06	1.10	5.50	11.22	30.40	27.80	NPT4"
N5807/8S		28.00	33.86	70.50	14.50	11.50	28.00	25.00	1.54	1.10	6.30	11.22	34.20	32.30	NPT4"
N5807/8UZ		28.00	33.86	76.63	14.50	11.50	28.00	25.00	1.54	1.10	6.30	11.22	34.20	32.30	NPT4"

FRAME NO.	FIG NO.	AB	AC	BA	AS	SHAFT END						BEARING		APPROX. WEIGHT (lb)
						U	N-W	ES	S	R	V	D.E.	O.D.E.	
449TS	1	22.95	18.03	7.50	2.34	2.375	4.75	3.03	0.625	2.021	4.50	6313C3	6313C3	2852
449TZ		22.95	18.03	7.50	2.34	3.375	10.125	8.50	0.875	2.880	9.875	NU320	6318	2974
N5007/9S	2	27.80	20.87	8.50	4.80	2.625	5.50	4.75	0.625	2.275	5.30	6315C3	6315C3	4405
N5007/9UZ		27.80	20.87	8.50	4.80	3.750	11.625	5.50	0.875	3.261	6.50	NU224C3	6222	4405
N5807/8S		29.80	22.84	10.00	8.35	2.625	5.50	4.75	0.625	2.275	5.30	6218C3	6218C3	5400
N5807/8UZ		29.80	22.84	10.00	8.35	4.375	11.625	10.00	1.000	3.817	8.10	NU226C3	6224C3	5400

\* N5007/9S , N5808S are used for 2 pole.

## Contact Information

### TATUNG Company

22 Chungshan N. Road, 3rd Sec. Taipei,  
104 Taiwan

Tel: 886-2-2599-5429,  
866-2-2592-5252 ext.2403, 2489, 2908  
Fax: 866-2-2598-4427  
E-mail: service@sansha.tatung.com.tw  
Web: www.tatung.com

### TATUNG Electric Company of America, INC.

14381 Chambers Road, Tustin, CA 92780  
Tel: 1-714-8383293  
Fax: 1-714-8383295  
E-mail: sales@tatungelectric.com  
Call Toll Free 1-800-828-8641

### TATUNG (Shanghai) CO., LTD

No. 5299 Beisong Road, Chedun Town  
Songjiang District, Shanghai 201611, China  
Tel: 86-21-57605299 ext. 159, 206  
Fax: 86-21-57605266  
E-mail: export@tatungsh.net  
Web: www.tatungsh.com/products